



Uphoria™ PRO LED PAR16

LED PAR16 with High Candela (90+ CRI)

Ushio America introduces new 90+ CRI Uphoria™ PRO LED PAR16 lamps which offer an energy saving alternative to 50W halogen lamps. With the fit, form, and function of traditional PAR16 GU10 based lamps, these 7W dimmable lamps have a unique optical design that delivers high candela.

Ushio America is proud to stand behind these LED lamps with a 3-year limited warranty.

The Uphoria PRO LED PAR16 lamps operate on 120V with a Soft White (2700K) or Warm White (3000K) color temperature in flood beam angles, and a Warm White (3000K) in a narrow flood beam angle.



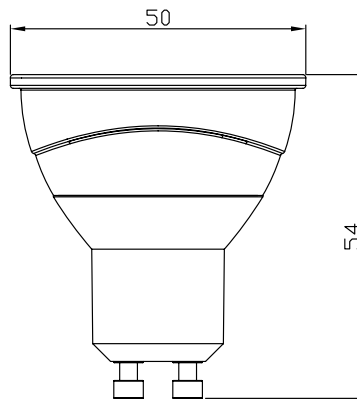
FEATURES & BENEFITS

- High Candela
- High Color Rendering (90+ CRI)
- Suitable for Use in Recessed Fixtures
- Direct Replacement for 50W Halogen PAR16 GU10 Lamps
- Smooth, Uniform Dimming
- COB for Crisper, Cleaner Shadows
- Damp Location Rated
- 86% Energy Saving
- Application Friendly: UV Free and IR Free
- Environmentally Friendly: Mercury Free, Lead Free and RoHS Compliant
- 25,000 Hours Rated Life
- 3-Year Limited Warranty

APPLICATIONS

- Track Lighting
- Recessed Lighting
- Accent Lighting
- Art Gallery & Museum Lighting
- Hospitality Lighting
- Display Lighting

SPECIFICATIONS



GU10 Base

Case Quantity: 10

Watts (W)	Ordering Code	Lamp Description	Volts (V)	Color Temp (K)	Beam Angle	Lumens* (lm)	CBCP* (cd)	CRI	Rated** (h)
7	1004433	UPHORIA PRO LED PAR16, NFL25, WW30, 90+CRI	120	3000	25°	480	2300	90+	25,000
7	1005035	UPHORIA PRO LED PAR16, NFL25, WW30, 90+CRI	120	3000	25°	480	2300	90+	25,000
7	1004432	UPHORIA PRO LED PAR16, FL40, SW27, 90+CRI	120	2700	40°	480	1090	90+	25,000
7	1004430	UPHORIA PRO LED PAR16, FL40, WW30, 90+CRI	120	3000	40°	480	1100	90+	25,000

* Photometric data is based on LM-79 tests.

** Average life based on 70% lumen maintenance. LM-80 data available.

Not compliant with California Title 20.

Discontinued - For Reference Only

Electrical Specifications:

Driver: High Efficiency

Power Factor: > 0.90

Dimming: See www.ushio.com for dimmer compatibility options.

CAUTIONS:

Suitable for dry and damp locations.

Suitable for use in recessed fixtures.

Not for use in totally enclosed fixtures.

Not for use in emergency or exit lighting.

Photometrics

Item# 1004433

θ (ft)	H(ft)	E(fc)
1.2	3.3	218.1
2.4	6.6	54.5
3.5	9.9	24.2
4.7	13.2	13.6
5.9	16.5	8.7
25°		7W
7W PAR16, NFL25, WW30		

Item# 1005035

θ (ft)	H(ft)	E(fc)
1.2	3.3	218.1
2.4	6.6	54.5
3.5	9.9	24.2
4.7	13.2	13.6
5.9	16.5	8.7
25°		7W
7W PAR16, NFL25, WW30		

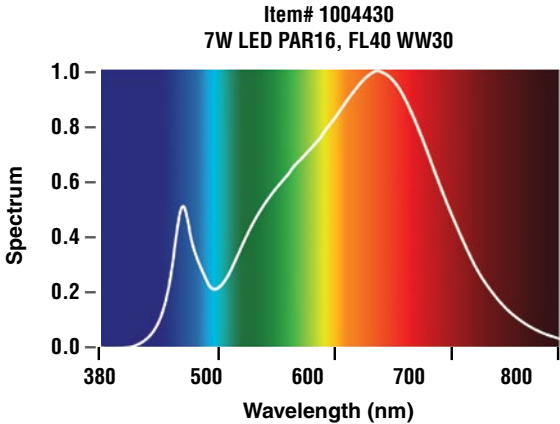
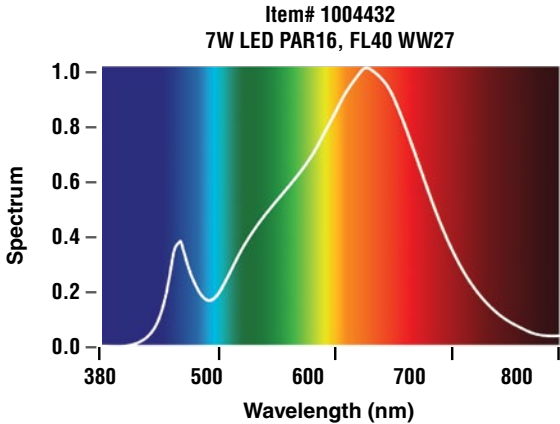
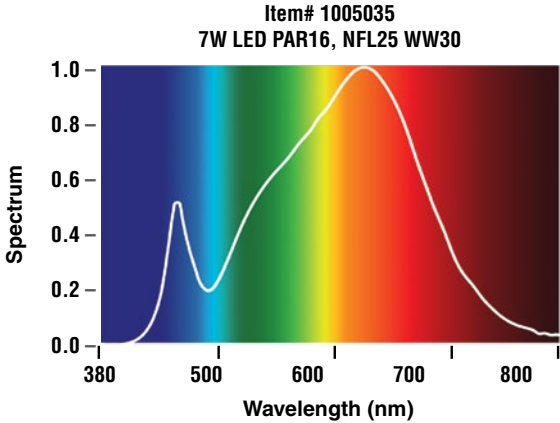
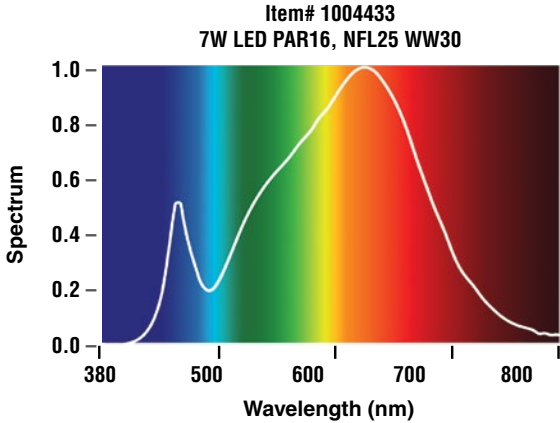
Item# 1004432

θ (ft)	H(ft)	E(fc)
2.1	3.3	104.5
4.2	6.6	26.1
6.3	9.9	11.6
8.4	13.2	6.5
10.4	16.5	4.2
40°		7W
7W LED PAR16, FL40, WW 27		

Item# 1004430

θ (ft)	H(ft)	E(fc)
2.1	3.3	106.3
4.2	6.6	26.6
6.3	9.9	11.8
8.5	13.2	6.6
10.6	16.5	4.3
40°		7W
7W LED PAR16, FL40, WW 30		

Spectral Distribution Charts



SPECIFICATIONS

Lighting Facts

Item# 1004433
7W UPHORIA PRO LED PAR16, NFL25, WW30

Lighting Facts/ Facts d'éclairage	
Per Bulb/Par l'ampoule	
Brightness/Luminosité	480 lumens
Estimated Yearly Energy Cost/ Coût énergétique annuel estimé	\$0.84
Based on 3 hrs/day, 11¢/kWh. Cost depends on rates and use. /Basé sur 3 heures/jour, 11¢/kWh. Les coûts dépendent du tarif et de la fréquence d'utilisation.	
Life/Vie	22.8 years/ans
Based on 3 hrs/day. /Basé sur 3 heures/jour.	
Light Appearance/Apparence de l'éclairage	
Energy Used/Énergie utilisée	7 watts

Item# 1005035
7W UPHORIA PRO LED PAR16, NFL25, WW30

Lighting Facts/ Facts d'éclairage	
Per Bulb/Par l'ampoule	
Brightness/Luminosité	480 lumens
Estimated Yearly Energy Cost/ Coût énergétique annuel estimé	\$0.84
Based on 3 hrs/day, 11¢/kWh. Cost depends on rates and use. /Basé sur 3 heures/jour, 11¢/kWh. Les coûts dépendent du tarif et de la fréquence d'utilisation.	
Life/Vie	22.8 years/ans
Based on 3 hrs/day. /Basé sur 3 heures/jour.	
Light Appearance/Apparence de l'éclairage	
Energy Used/Énergie utilisée	7 watts

Item# 1004432
7W UPHORIA PRO LED PAR16, FL40, SW27

Lighting Facts/ Facts d'éclairage	
Per Bulb/Par l'ampoule	
Brightness/Luminosité	480 lumens
Estimated Yearly Energy Cost/ Coût énergétique annuel estimé	\$0.84
Based on 3 hrs/day, 11¢/kWh. Cost depends on rates and use. /Basé sur 3 heures/jour, 11¢/kWh. Les coûts dépendent du tarif et de la fréquence d'utilisation.	
Life/Vie	22.8 years/ans
Based on 3 hrs/day. /Basé sur 3 heures/jour.	
Light Appearance/Apparence de l'éclairage	
Energy Used/Énergie utilisée	7 watts

Item# 1004430
7W UPHORIA PRO LED PAR16, FL40, WW30

Lighting Facts/ Facts d'éclairage	
Per Bulb/Par l'ampoule	
Brightness/Luminosité	480 lumens
Estimated Yearly Energy Cost/ Coût énergétique annuel estimé	\$0.84
Based on 3 hrs/day, 11¢/kWh. Cost depends on rates and use. /Basé sur 3 heures/jour, 11¢/kWh. Les coûts dépendent du tarif et de la fréquence d'utilisation.	
Life/Vie	22.8 years/ans
Based on 3 hrs/day. /Basé sur 3 heures/jour.	
Light Appearance/Apparence de l'éclairage	
Energy Used/Énergie utilisée	7 watts

CAUTION:

Lamp may not be compatible with all dimmers. Check www.ushio.com to find up to date dimmer compatibility options. Use on only 120V 60Hz circuits. Do not open. No user serviceable parts inside. Suitable for damp locations. Use is not recommended where exposed to weather. Suitable for use in recessed fixtures. Not for use in enclosed fixtures. Reliable operating environment temperature is -4°F to 113°F. Lamp is not intended for use with emergency exit fixtures, emergency exit lights, photo controls or electric timers. Lamp complies with Part 15 of the FCC Rules. Operation is subject to the following two conditions: (1) device may not cause harmful interference, and (2) device must accept any interference received, including interference that may cause undesired operation.