



# Uphoria™ PRO *Gold* LED MR16

## LED MR16 with High Candela (90+ CRI)

Experience the gold standard in low voltage LED lighting with the 90+ CRI, ENERGY STAR® certified Uphoria™ PRO Gold LED MR16 lamps from Ushio America. These dimmable, 500 lumen lamps are certified to California's stringent Title 20 and JA8-2016-E standards. They have the form, fit and function to directly replace traditional halogen MR16 lamps and the unique optical design allows these lamps to deliver a highly efficient flood beam spread.

Uphoria PRO Gold LED MR16 lamps are available in soft white 2700K and warm white 3000K color temperatures with 35 degree beam angles.

Ushio America is proud to stand behind these 25,000 hour rated life lamps with a 3 year limited warranty.



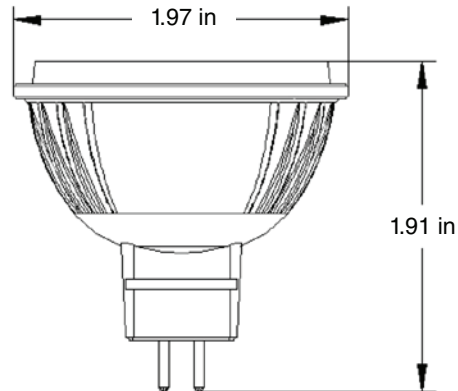
## FEATURES & BENEFITS

- Certified to California Title 20 & JA8-2016-E
- ENERGY STAR® Certified
- 500 Lumens
- High Candela
- High Color Rendering (90+ CRI)
- Direct Replacement for Traditional MR16 GU5.3 Lamps
- Smooth, Uniform Dimming (Down to 10%)
- Suitable for Use in Totally Enclosed Fixtures
- 25,000 Hours Rated Life
- 3-Year Limited Warranty

## APPLICATIONS

- Track Lighting
- Recessed Lighting
- Accent Lighting
- Art Gallery & Museum Lighting
- Hospitality Lighting

# SPECIFICATIONS



**GU5.3 Base**

**Case Quantity: 60**

Watts (W)	Ordering Code	Lamp Description	Volts (V)	Color Temp (K)	Beam Angle	Lumens* (lm)	CBCP*	CRI	Rated** (h)
7	1004959	★ UPHORIA PRO GOLD LED MR16, FL35, SW27, 90+CRI	12	2700	35°	500	1486	90+	25,000
7	1004958	★ UPHORIA PRO GOLD LED MR16, FL35, WW30, 90+CRI	12	3000	35°	500	1715	90+	25,000

\* Photometric data is based on LM-79 tests.

\*\* Average life based on 70% lumen maintenance. LM-80 data available.

★ENERGY STAR® Certified

## Electrical Specifications:

Driver: High Efficiency

Dimmable Down to 10%

Power Factor: > 0.9

Dimming: See [www.ushio.com](http://www.ushio.com) for dimmer compatibility options.

## CAUTIONS:

Suitable for dry and damp locations.

Suitable for use in recessed fixtures.

Suitable for use in totally enclosed fixtures (UL 1993).

Not for use in emergency or exit lighting.

# PHOTOMETRICS & SPECTRAL DISTRIBUTION CHARTS

## Photometrics

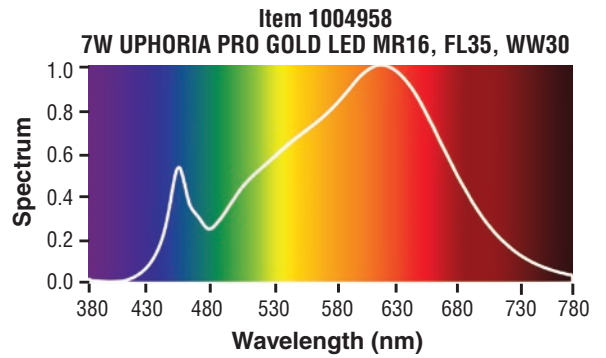
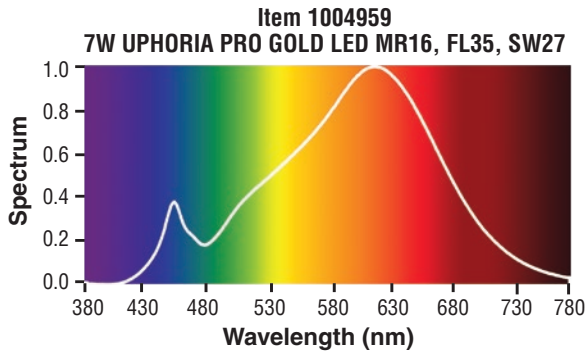
**Item 1004959**

ø(ft)	H(ft)	E(fc)
2.0	3.3	136.5
4.0	6.6	34.1
6.0	9.9	15.2
8.1	13.2	8.5
10.1	16.5	5.5
<b>35°</b>		<b>7W</b>
<b>7W LED MR16, FL35, SW27</b>		

**Item 1004958**

ø(ft)	H(ft)	E(fc)
2.0	3.3	157.5
4.0	6.6	39.4
6.0	9.9	17.5
8.1	13.2	9.8
10.1	16.5	6.3
<b>35°</b>		<b>7W</b>
<b>7W LED MR16, FL35, WW30</b>		

## Spectral Distribution Charts



# LIGHTING FACTS

Item 1004959  
7W LED MR16, FL35, SW27

<b>Lighting Facts/ Faits d'éclairage</b>	
Per Bulb/Par l'ampoule	
<b>Brightness/Luminosité</b>	<b>500 lumens</b>
<b>Estimated Yearly Energy Cost/ Coût énergétique annual estimé</b>	<b>\$0.84</b>
Based on 3 hrs/day, 11¢/kWh. Cost depends on rates and use. /Basé sur 3 heures/jour, 11¢/kWh. Les coûts dépendent du tarif et de la fréquence d'utilisation.	
<b>Life/Vie</b>	<b>22.8 years/ans</b>
Based on 3 hrs/day. /Basé sur 3 heures/jour.	
<b>Light Appearance/Apparence de l'éclairage</b>	
<b>Energy Used/Énergie utilisée</b>	<b>7 watts</b>

Item 1004958  
7W LED MR16, FL35, WW30

<b>Lighting Facts/ Faits d'éclairage</b>	
Per Bulb/Par l'ampoule	
<b>Brightness/Luminosité</b>	<b>500 lumens</b>
<b>Estimated Yearly Energy Cost/ Coût énergétique annual estimé</b>	<b>\$0.84</b>
Based on 3 hrs/day, 11¢/kWh. Cost depends on rates and use. /Basé sur 3 heures/jour, 11¢/kWh. Les coûts dépendent du tarif et de la fréquence d'utilisation.	
<b>Life/Vie</b>	<b>22.8 years/ans</b>
Based on 3 hrs/day. /Basé sur 3 heures/jour.	
<b>Light Appearance/Apparence de l'éclairage</b>	
<b>Energy Used/Énergie utilisée</b>	<b>7 watts</b>

**CAUTION:**

Lamp may not be compatible with all dimmers and transformers. Check [www.ushio.com](http://www.ushio.com) to find up to date dimmer and transformer compatibility options. Use only on 12V AC circuits. Do not open. No user serviceable parts inside. Suitable for use in totally enclosed, recessed luminaires. Suitable for use in surface mount wall and ceiling luminaires, and portable luminaires. Use is not recommended where exposed to weather. Outdoor usage requires an enclosed fixture. Recommended lamp housing temperature is 150°F or below. Reliable operating environment temperature is -4°F to 113°F. SUITABLE FOR DAMP LOCATIONS. RISK OF ELECTRIC SHOCK - DO NOT USE WHERE DIRECTLY EXPOSED TO WATER. Lamp is not intended for use with emergency exit fixtures, emergency exit lights, photo controls or electric timers. Lamp complies with Part 15 of the FCC Rules. Operation is subject to the following two conditions: (1) device may not cause harmful interference, and (2) device must accept any interference received, including interference that may cause undesired operation.

